



PICTON TERMINALS 

Liebherr Reach Stacker

LRS 545



Specifications

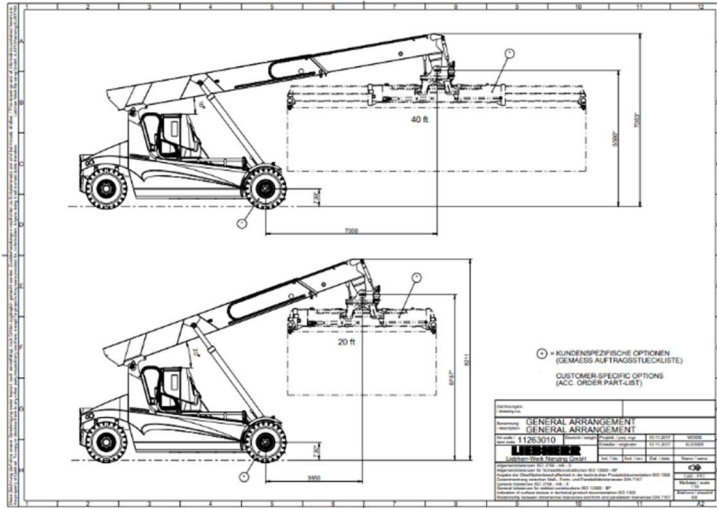
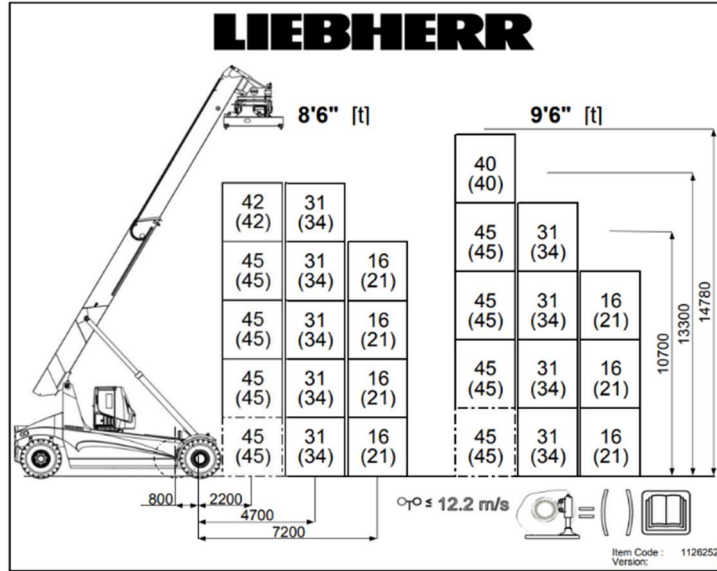
Max Lift	45 MT
Max Reach	31 ft 11 in
Min Reach	10 ft
Containers	20', 40', 45' ft
Stack Height	5 Tier
Spreader	360 Degree Rotational
Special Attachment	25 MT Forks



Contact

Picton Terminals
info@pictonterminals.ca
Office: 613-471-1112
24/7: 613-929-4880

General Arrangement Drawing



Contact

Picton Terminals
 info@pictonterminals.ca
 Office: 613-471-1112
 24/7: 613-929-4880